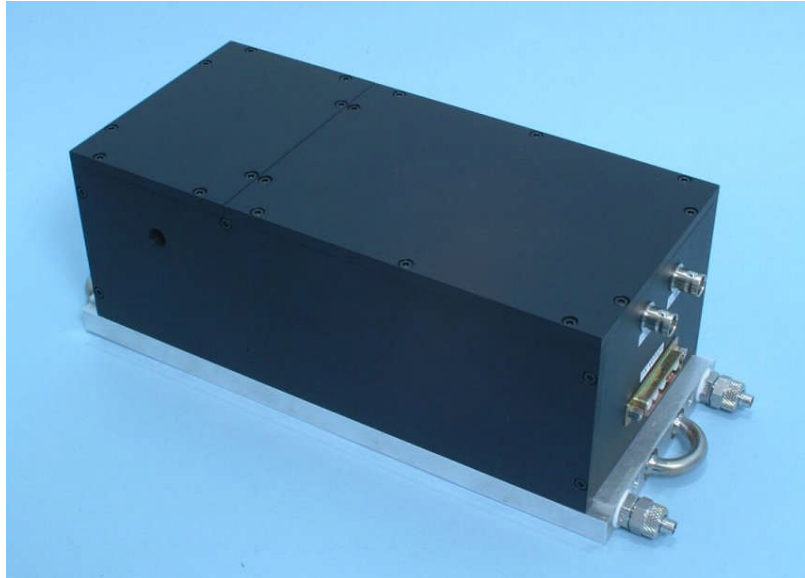


# Pockels Cell Driver

## Model PCD..



- high Repetition Rate
- fast switching, on and off
- variable Pulse-duration
- double Pulses with Spacing <50ns
- low Jitter
- for BBO / RTP / KDP Pockels-cells

### *Typical Performances:*

Voltage:	rise/fall-time (typ)	Repetition Rate (with water-cooling)
1.5kV	4ns	2.5MHz
2.4kV	4ns	1MHz
4.6kV	5ns	150kHz
5.6kV	6ns	100kHz

The system normally is delivered with an optical head, HV-powersupply and timing-system. Any custom specification, i.e. optimized for other Pockels cells or other voltages, can be delivered.



KG Hagener Leite 24 D-82418 Murnau Germany Tel +49-(0)8841 487769 1  
Fax +49-(0)8841 487769 9 e-mail bme-bergmann@t-online.de <http://www.bme-bergmann.de>

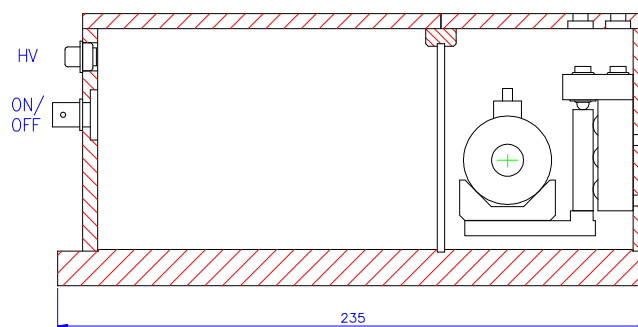
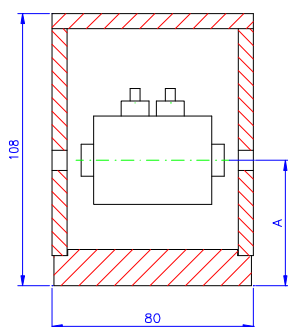
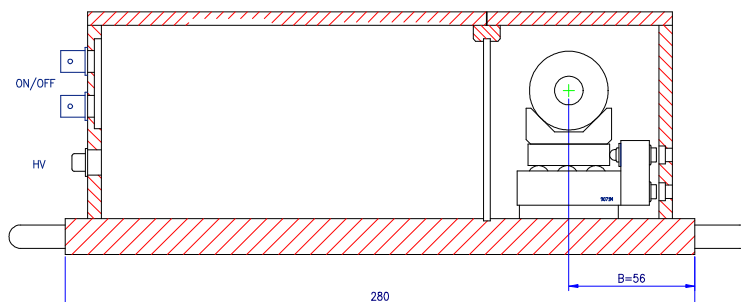
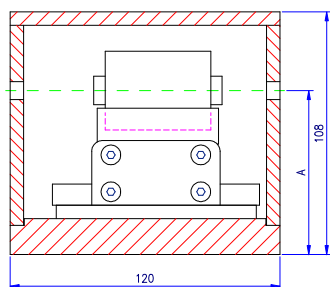
# General Specifications

max. operating Voltage	10.5 kV
max. Reprate	2MHz (@1kV, 6pF) ; 10MHz (Burstmode)
optical rise- and fall- time	3 - 7 ns
pulse width	$0 < \infty$
on / off - ratio	$0 < 1$
Jitter, Input to Output	< 200ps
Trigger Input Impedance	50 Ohm
Trigger Input	3 - 10V, width >100ns

## Dimensions:

	( normal )	( water cooled )
version A (small)	LxBxH = 235x 80x 108 mm	LxBxH = 310x 80x 108 mm
version B (middle)	LxBxH = 270x 120x108 mm	LxBxH = 325x 120x108 mm
version C (big)	LxBxH = 300x 180x110 mm	LxBxH = 345x 180x110 mm
HV-Supply ( 19" 3HE)	BxTxH = 463x 375x 133 mm	

## Outline - Variants



Beam height is normally between 50 and 75 mm, other heights also possible. The head can be fabricated as to customers request.

